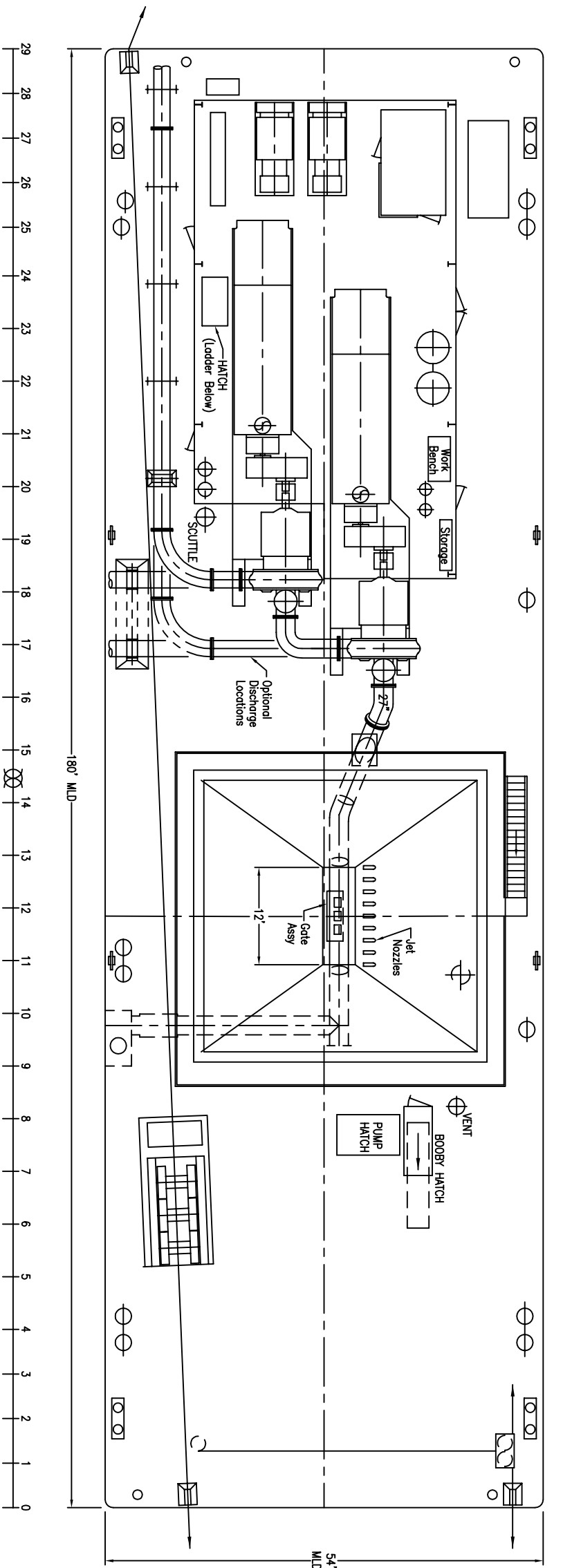
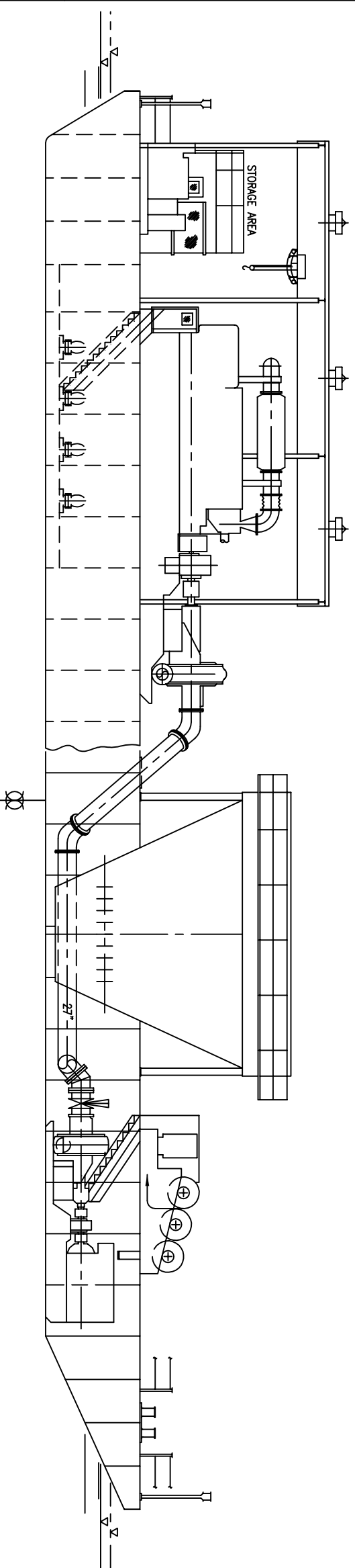


REVISIONS			
ZONE/LTR	DESCRIPTION	DATE	APPROVED
-			
A	VESSEL FILE	11/12/01	-



MAIN DECK PLAN



INBOARD PROFILE

- VESSEL PARTICULARS:
- 1) VESSEL CLASS: ABS OCEANS
 - 2) ROUTE: OFFSHORE, LAKES, BAYS, SOUNDS
 - 3) TONNAGE (APPROX.): 1600 GROSS DEADWEIGHT, 375 TONS
 - 4) PROPULSION: NONE, 4-POINT ANCHOR SYSTEM
 - 5) ACCOMMODATIONS: NONE
 - 6) FUEL: 60,000 U.S.G.
 - 7) WATER: N/A

REFERENCES

WARNING
THIS DRAWING IS FOR ILLUSTRATION PURPOSES ONLY. DO NOT USE FOR CONCEPT, DESIGN, CONSTRUCTION, OR ANY OTHER PURPOSE.

PROPRIETARY RIGHTS
THIS DOCUMENT DISCLOSES MATTER IN WHICH DUCOTE ENGINEERING ASSOCIATES, INC. HAS PROPRIETARY RIGHTS. NEITHER RECEIPT NOR POSSESSION HEREIN CONFER OR TRANSFERS PROPRIETARY RIGHTS. ANY INFORMATION CONTAINED HEREIN IS UNCLASSIFIED AND NOT TO BE RELEASED OR IN ANY MANNER DISCLOSED TO ANY OTHER PARTY WITHOUT THE WRITTEN AGREEMENT OF DUCOTE ENGINEERING ASSOCIATES, INC. IN THE EVENT OF A PURCHASE OF THIS DOCUMENT, THE PURCHASER IS AUTHORIZED TO CONSTRUCT NO MORE THAN ONE DEVICE ACCORDING TO THIS DOCUMENT UNLESS OTHERWISE AGREED IN WRITING WITH DUCOTE ENGINEERING ASSOCIATES, INC. DUCOTE ENGINEERING ASSOCIATES, INC. RESERVES THE RIGHT TO REVISE OR CHANGE THIS DOCUMENT AT ANY TIME, OR AS NEED ARISES.

CONTRACT NO.		DUCOTE ENGINEERING ASSOC., INC.
DRAWN	TH	PROFESSIONAL ENGINEERS
CHECK	8-2-01	JEFFERSON, LOUISIANA
DESIGN		GENERAL ARRANGEMENT
DESIGN ACTIVITY		SLURRY DENSIFIER
CUSTOMER		BARGE
SCALE: 1/8"=1'-0"	RELEASE DATE	
		SHEET 1 of 1